

posi-flate®

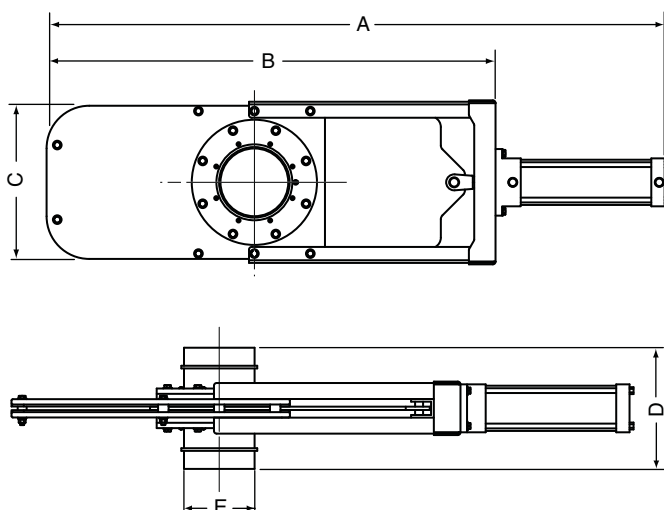
butterfly valves

Inflatable Seated Knife Gate Series 476



The Posi-flate Series 476 Inflatable Seated Knife Gate is all “full-bore” and available in both mild steel and stainless steel construction. The knife gate comes complete with air operator and solenoid valve.

All standard valves are pressure rated to 150 psig and temperature rated to 200 degrees Fahrenheit using standard seals. Optional seals are available.



KNIFE GATE DIMENSIONS (INCHES)					
SIZE	A	B	C	D	E (O.D.)
2"	50.50	34.50	12.38	11.38	2.38
3"	50.50	34.50	12.38	11.38	3.50
4"	58.00	42.13	14.38	11.38	4.50
5"	58.00	42.13	14.38	11.38	5.56
6"	58.00	42.13	14.38	11.38	6.63
8"	70.00	52.50	18.50	15.00	8.62
10"	76.00	58.50	18.50	15.00	10.75

All dimensions subject to change without notice.

Posi-flate® is a registered trademark of Posi-flate, St. Paul, Minnesota.

© Copyright 2016, Posi-flate®

Printed in U.S.A. • Bulletin 21312-1-T

Corporate Headquarters

Posi-flate • St. Paul, MN USA • +1 651 484-5800

Worldwide Offices

Brazil • China • United Kingdom

www.posiflate.com