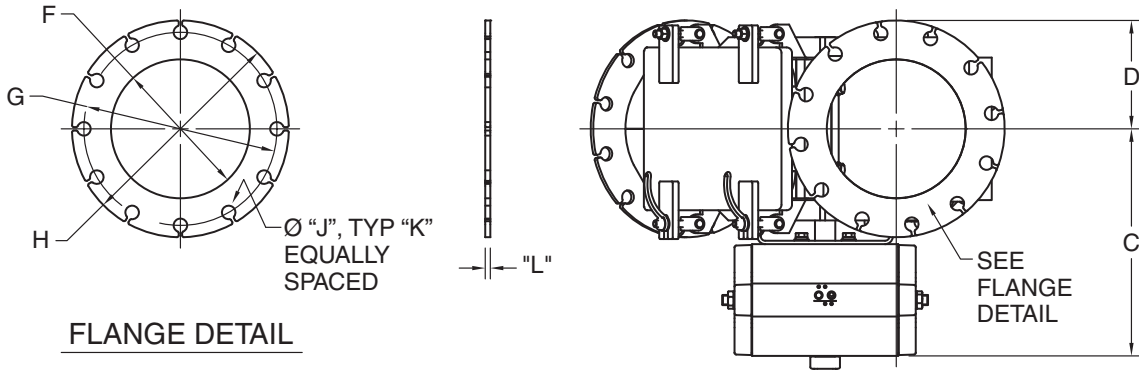




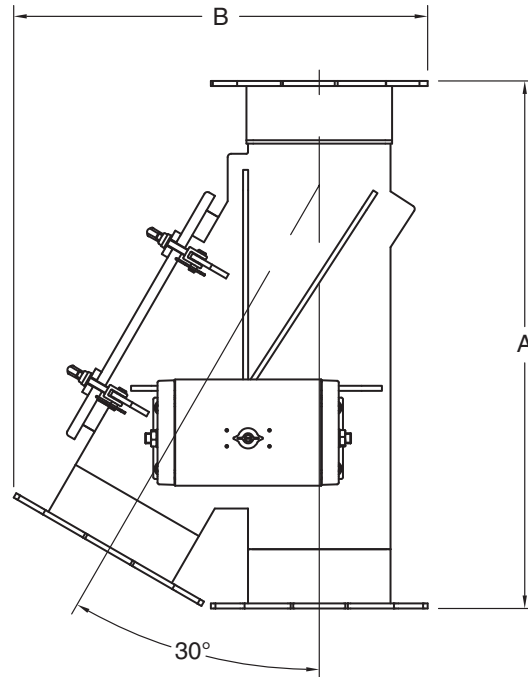
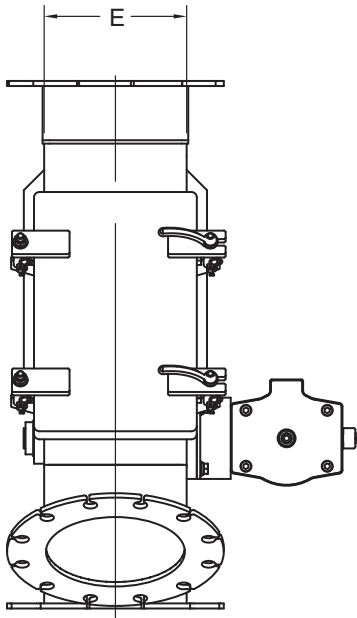
The Posi-flate 307 series gravity diverter valve is designed to divert a gravity flow of dry bulk solids into two or three different directions, depending on model chosen. The 307 series gravity diverter valve is designed with numerous special features which allow it to handle difficult materials which may be cohesive, dusty and/or abrasive. One special feature is an interior with smooth surfaces for an optimum unobstructed flow of material. Also, the unique design provides a tight seal between the diverter

flop gate and the sidewalls to prevent possible leaks when discharging material. Another special feature is the use of a high life cycle pneumatic rotary actuator to rotate the flop gate into position, eliminating all external moving parts. A visual indicator and position switches can be installed for visual and electrical verification of the valve position. A large inspection hatch enables easy access for inspection or maintenance of the internal components.

Dimensions & Specifications



FLANGE DETAIL



GRAVITY DIVERTER DIMENSIONS (INCHES)											
SIZE	A	B	C	D	E	F	G	H	J	K	L
2	18.29	11.79	9.42	3.00	2.34	2.07	4.75	6.00	.75	4	.38
3	24.15	17.39	10.40	3.75	4.30	3.07	6.00	7.50	.75	4	.38
4	24.15	17.39	10.40	4.50	4.30	4.03	7.50	9.00	.75	8	.38
5	27.94	21.12	12.67	5.00	6.33	5.05	8.50	10.00	.88	8	.38
6	27.94	21.12	12.67	5.50	6.33	6.07	9.50	11.00	.88	8	.38
8	38.94	30.55	16.76	6.75	10.52	8.13	11.75	13.50	.88	8	.38
10	38.94	30.55	16.76	8.00	10.52	10.25	14.25	16.00	1.00	12	.38
12	49.84	39.83	18.39	9.50	13.77	12.25	17.00	19.00	1.00	12	.38
14	49.84	39.83	18.39	10.50	13.77	13.50	18.75	21.00	1.13	12	.50
16	54.77	44.50	20.56	11.75	15.77	15.50	21.25	23.50	1.13	16	.50

All specifications subject to change without notice.

Posi-flate® is a registered trademark of Posi-flate, St. Paul, Minnesota.

© 2016 Posi-flate • Printed in U.S.A. • Bulletin 21202-1 (dm)